

124-8000

press-fit butterfly lever
ball valves



altecnic
Caleffi group

124-8000 press-fit butterfly lever ball valves



Application

The Altecnic press-fit ball valves with butterfly lever and press-fit ends are the ideal isolation valve, for use in copper pipe systems.

The valves offer all the benefits of heat free press fit installation, without the requirement for a hot work permit, saving time and money.

The Leak Before Press feature ensures any un-pressed joints are identified during the system pressure test.

Can be used in domestic, commercial and health care premises on cold and hot water services.

Design

Full bore design.

Anti blow out stem.

Compact design with butterfly lever.

Lever operated through 90°, with bi-directional flow.

Hard chrome plated ball for increased wear resistance.

PTFE body seats for reliable isolation.

The valves are designed for high flow rates with minimum pressure drops.

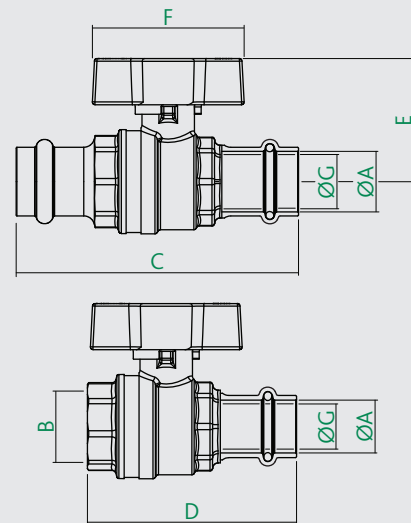
Suitable for use with R250 (half hard) copper tube to BS EN 1057.

Construction Details

Component	Material	Grade
Body	Brass	BS EN 12165 CW617N
End connection	Brass	BS EN 12165 CW617N
Ball seat	PTFE	
Ball	Brass - chrome plated	BS EN 12164 CW617N
Stem	Brass	BS EN 12164 CW617N
Stem seal	PTFE	
Stem 'O' ring	HNBR rubber	
Butterfly lever	Aluminium	
Press end 'O' ring	EPDM	

Connection Sizes	Product Code	Connection Sizes	Product Code
15 x 15	124-8013	15 x 1/2"	124-8017
22 x 22	124-8015	22 x 3/4"	124-8019
28 x 28	124-8016	28 x 1"	124-8020

Dimensions



Connection	A	B	C	D	E	F	G*
15 x 1/2"	15	Rc1/2	93.5	70	38	47	15
22 x 3/4"	22	Rc3/4	104	77	46	56	20
28 x 1"	28	Rc1	110.5	86.5	46	56	15

* ØG is the minimum port diameter through the ball and exceeds the full bore diameter circle specified in BS EN 13547.

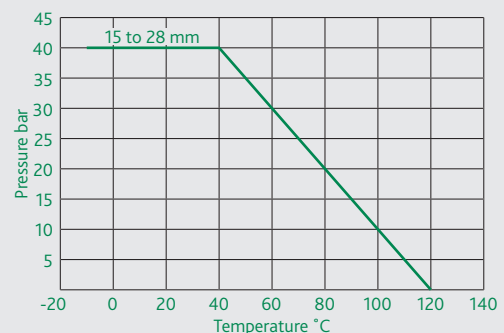
Pressing Profile

	R250	R250	R250
Copper Pipe	15 x 1	22 x 1	28 x 1
BS EN 1057	15 x 1.5	22 x 1.5	28 x 1.5
Pressing Tool	V	V	V
	M	M	M

Technical Data

In accordance with BS EN 13547
 Threaded connection to BS EN 10226
 PED directive classification Group 2 Liquids SEP

Pressure - Temperature Diagram



Installation

The valves are very simple to install with just two joints to make.

Altecnic Ltd Mustang Drive, Stafford, Staffordshire ST16 1GW

T: +44 (0)1785 218200 E: sales@altecnic.co.uk

Registered in England No: 2095101

altecnic.co.uk

AL 290 10-10-18

E & O.E

© Altecnic Limited. 2018

ALTECNIC™

altecnic
Caleffi group